

INSTALLATION INSTRUCTION

774-LED Wall Sconce

WS-77424/WS-77436

dweLED

CAUTION: To prevent electrical shock, ensure electricity has been turned off at the circuit breaker before beginning.

- Read all instructions before installing.
- System is intended for installation by a licensed electrician in accordance with the National Electrical Code (NEC) and local regulations.
- When handling the fixture, do not apply pressure to the LEDs. Hold the fixture by the base only.
- Retain installation instructions for future maintenance reference.

WARNING: All parts must be used as indicated in these instructions. This product is designed for use only with the supplied parts and/or accessories designated for use by dweLED. Substitution of parts or accessories not designated for use with this product by dweLED could result in personal injury or property damage, and will void the warranty. Contact an authorized dealer or the manufacturer if any parts are damaged or missing.

MAINTENANCE NOTE: Coastal conditions may cause mineral and residue build-up on the fixture. We recommend that customers in coastal areas clean all external surfaces of the fixture once every two weeks with a wet cloth.

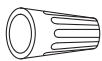
MISE EN GARDE: Pour éviter tout choc électrique, assurez-vous que le disjoncteur soit mis hors tension avant de commencer.

- Lisez toutes les instructions avant l'installation.
- Le système doit être installé par un électricien licencié conformément au code national de l'électricité (NEC), et également aux règlements locaux.
- Lors de la manipulation du luminaire, n'appuyez pas sur les LED. Tenez-le uniquement par la base.

ATTENTION: Toutes les pièces doivent être utilisées comme indiqué dans ces instructions. Ce produit est conçu pour être utilisé seulement avec les pièces et/ou accessoires fournis pour être utilisés avec les produits dweLED. Remplacer des pièces ou accessoires non conçus pour ce produit dweLED pourrait causer des dommages corporels ou matériels et pourrait également causer l'annulation de la garantie. Veuillez contacter un revendeur autorisé ou le fabricant si des pièces manquent ou sont endommagées.

NOTE D'ENTRETIEN: Les conditions côtières peut causer une accumulation de minéraux et de résidus sur le luminaire. Nous recommandons aux clients qui résident dans les zones côtières de nettoyer toutes les surfaces externes du luminaire une fois toutes les deux semaines avec un chiffon humide.

A



Wire Connector
Qty: 4pcs

B



Mounting Screw
Qty: 1 Extra

C



Assembly screw
Qty: 1pc

D



Allen Wrench
Qty: 1pc

E



Allen Screw
Qty: 12+2 Extra (WS-77424)
20+2 Extra (WS-77436)

dweLED.com
Phone (800) 526.2588
Fax (800) 526.2585

Headquarters/Eastern Distribution Center
44 Harbor Park Drive
Port Washington, NY 11050

Central Distribution Center
1600 Distribution Ct
Lithia Springs, GA 30122

Western Distribution Center
1750 Archibald Avenue
Ontario, CA 91760



INSTALLATION INSTRUCTION
774-LED Wall Sconce
 WS-77424/WS-77436

dweLED

Fig.1

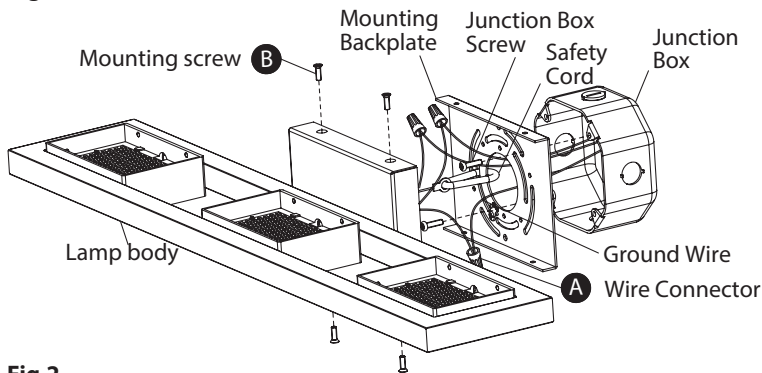


Fig.2

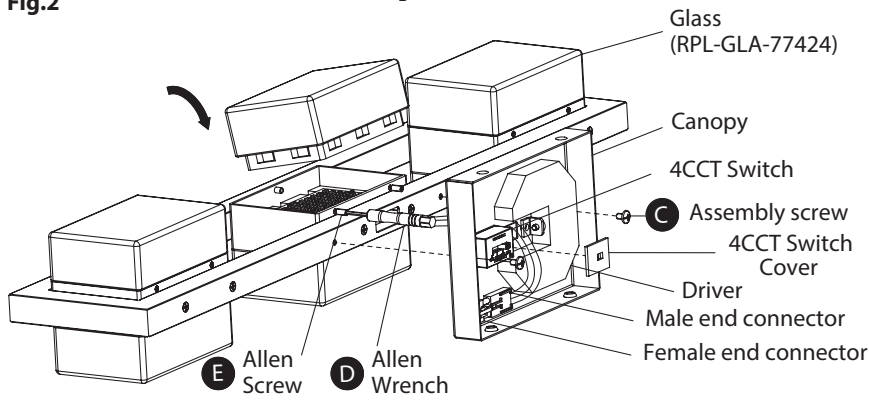


Fig.3 Wiring

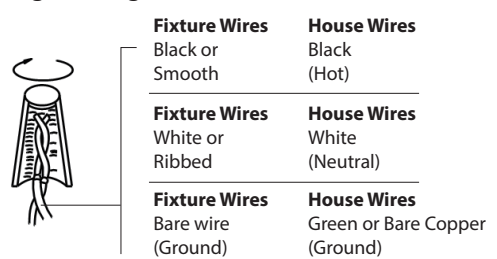
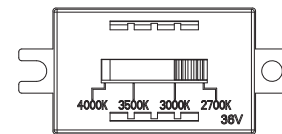
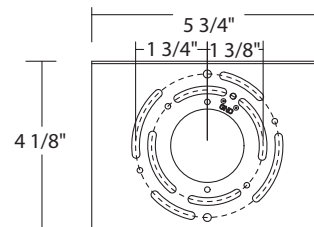


Fig.4 Switch



Mounting Backplate



PREPARATION

1. Shut off the power at the circuit breaker and remove existing fixture, including the crossbar.
2. Carefully unpack your new fixture and lay out all the parts on a clear area. Be careful not to lose any small parts necessary for installation.

MOUNTING THE FIXTURE (Fig. 1&Fig. 2)

3. Remove the mounting screw (B) from the fixture.
4. The lamp can switch between four color temperatures (2700K-3000K-3500K-4000k), which can be adjusted to your preference with the switch in the canopy (Fig.4).

Note: the switch comes with a detachable cover, Remove the cover prior to adjusting the color temperature, Fasten the cover after adjustment is made.

5. Loosen the assembly screw(C) and remove the canopy.(Untie the male and female end connector,canopy can be removed completely.)
6. Secure the glasses to the lamp body using Allen screws(E) with Allen wrench(D).
7. Connect the male and female end connector and Secure the canopy using assembly screws(C).
8. Secure the mounting plate to the junction box using the screws provided with the junction box.

Note: (i)Using any other non-original-manufacturer provided junction box screw may result in safety issue.
 (ii) The side of the mounting plate marked "GND" must face out.

CONNECTING THE WIRES (Fig. 3)

9. Properly secure the safety cord to the bracket on the mounting back plate to temporarily hang the fixture in place and aid installation.
10. Connect the input wires to junction box wires as shown (Fig. 3). Make sure that all wire connectors (A) are secure. If your outlet box has a GND or bare copper ground wire, connect the ground wire to it. Otherwise, connect the fixture's ground wire directly to the backplate using the GND screw provided. After wires are connected, tuck them carefully inside the junction box.

COMPLETING THE INSTALLATION

11. Secure the fixture to the mounting back plate using the mounting screw (B).

dweLED.com
 Phone (800) 526.2588
 Fax (800) 526.2585

Headquarters/Eastern Distribution Center
 44 Harbor Park Drive
 Port Washington, NY 11050

Central Distribution Center
 1600 Distribution Ct
 Lithia Springs, GA 30122

Western Distribution Center
 1750 Archibald Avenue
 Ontario, CA 91760

