

**INSTALLATION INSTRUCTION**  
**796 - Vanities & Wall Sconces**  
**WS-79622**

**WARNING**

IMPORTANT: NEVER attempt any work without shutting off the electricity.

- Read all instructions before installing.
- System is intended for installation by a qualified electrician in accordance with the National Electrical Code and local regulations.
- Go to the main fuse box, or circuit breaker. Place the main power switch in the "OFF" position and unscrew the fuse(s) or switch "OFF" the circuit breaker switch(es) that control the power to the fixture or room that you are working on.
- Place the wall switch in the "OFF" position.

**CAUTION**

- All parts must be used as indicated in these instructions. Do not substitute any parts, leave parts out, or use any parts that are worn out or broken. Failure to follow this instruction could invalidate the ETL/CETL listing of this fixture.
- CAUTION When handling the fixture, do not apply pressure to the LEDs. Hold the fixture by the base only.

**AVERTISSEMENT**

IMPORTANT : Coupez l'électricité avant TOUTE manipulation.

- Lisez toutes les instructions avant d'installer.
- Système est destiné à être installé par un électricien qualifié en conformité avec le code national de l'électricité et les règlements locaux.
- Accédez au panneau central de disjoncteurs ou de fusibles de votre demeure et placez l'interrupteur principal en position d'arrêt (« OFF »).
- Placez l'interrupteur mural en position d'arrêt (« OFF »).

**MISE EN GARDE**

- Toutes les pièces doivent être utilisées tel qu'il est indiqué dans ces instructions. Ne remplacez pas les pièces, n'en laissez pas de côté et ne les utilisez pas si elles sont usées ou brisées. Le non-respect de ces instructions peut annuler l'homologation ETL/CETL du luminaire. MISE EN GARDE Ors de la manipulation de l'appareil, ne pas appliquer de pression à la LED, tenir l'appareil par la seule base.

**ADVERTENCIA**


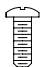

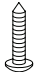


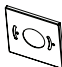



IMPORTANTE: NUNCA intente hacer trabajos sin desconectar el suministro eléctrico.

- Lea y comprenda todas las instrucciones e ilustraciones por completo antes de proceder con el ensamblaje e instalación de esta lámpara.
- Sistema está diseñado para ser instalado por un electricista calificado, de acuerdo con el código eléctrico nacional y las normas locales.
- Diríjase a la caja de fusibles o a la caja del interruptor de circuito principal en su hogar. Coloque el interruptor de alimentación principal en la posición "OFF" (APAGADO).
- Coloque el interruptor de la pared en la posición "OFF" (APAGADO).

**PRECAUCIÓN**

- Todas las piezas deben usarse como lo indican estas instrucciones. No reemplace las piezas, no omita piezas durante la instalación ni utilice piezas gastadas o rotas. El incumplimiento de esta indicación podría invalidar la calificación ETL/CETL esta lámpara. PRECAUCIÓN Al manipular el aparato, no aplique presión a los LED, mantenga el aparato en la base sólo.

**HARDWARE**

<b>A1</b>	<b>B1</b>	<b>C1</b>	<b>D1</b>	<b>E1</b>	<b>F1</b>	<b>G1</b>	<b>H1</b>	<b>I1</b>	<b>J1</b>
									
Wire Connector Qty: 3 pcs	Junction Box Screw Qty: 2 pcs + 1 Extra	Mounting Screw Qty: 4 pcs + 1 Extra	Wood Screw Qty: 2 pcs + 1 Extra	Plastic Anchor Qty: 2 pcs + 1 Extra	Mounting Screw Qty: 4 pcs + 1 Extra	Conversion Plate Qty: 1 pc	Mounting Ring Qty: 1 pcs	Spacer Qty: 2 pcs + 1 Extra	Mounting Screw Qty: 2 pcs + 1 Extra

**waclighting.com**  
 Phone (800) 526.2588  
 Fax (800) 526.2585

**Headquarters/Eastern Distribution Center**  
 44 Harbor Park Drive  
 Port Washington, NY 11050

**Central Distribution Center**  
 1600 Distribution Ct  
 Lithia Springs, GA 30122

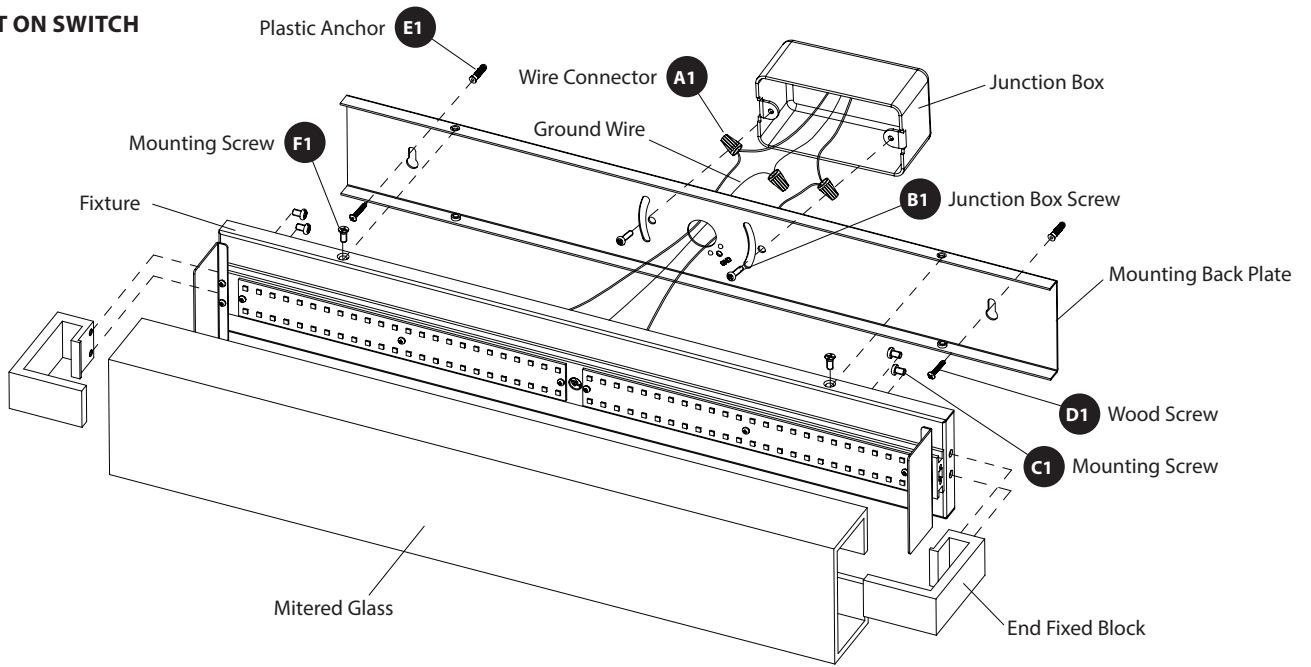
**Western Distribution Center**  
 1750 Archibald Avenue  
 Ontario, CA 91760



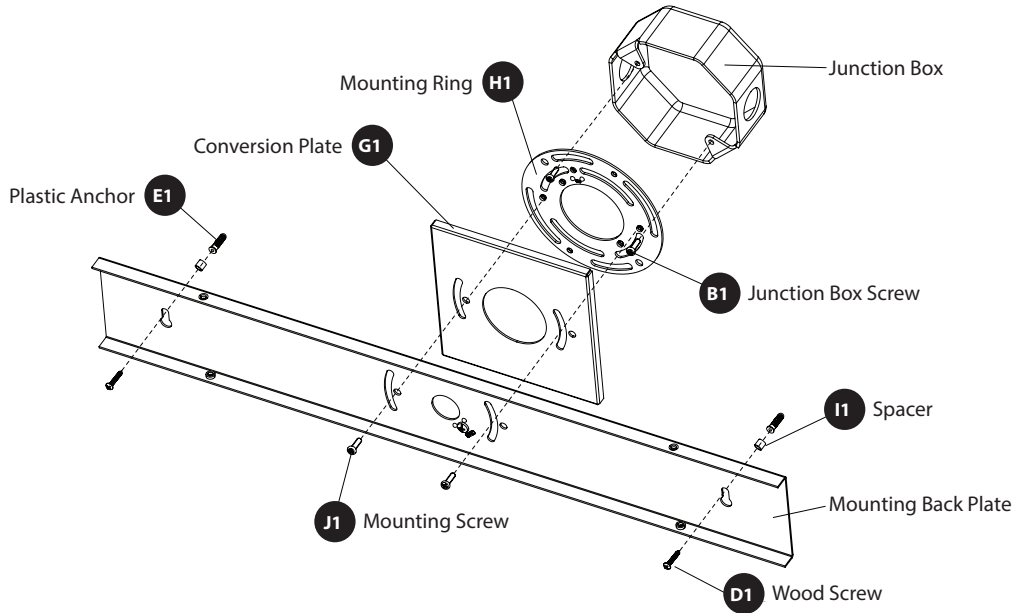
**INSTALLATION INSTRUCTION**  
**796 - Vanities & Wall Sconces**  
**WS-79622**

**WAC LIGHTING**  
 Responsible Lighting®

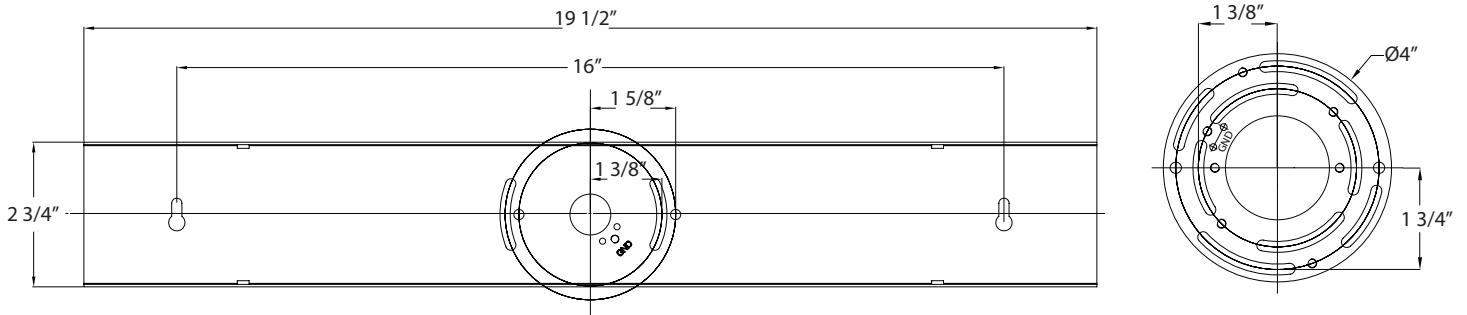
**FIG. 1 MOUNT ON SWITCH**



**FIG. 2 MOUNT ON JUNCTION BOX**



**Back Plate Dimensions**



wacighting.com  
 Phone (800) 526.2588  
 Fax (800) 526.2585

**Headquarters/Eastern Distribution Center**  
 44 Harbor Park Drive  
 Port Washington, NY 11050

**Central Distribution Center**  
 1600 Distribution Ct  
 Lithia Springs, GA 30122

**Western Distribution Center**  
 1750 Archibald Avenue  
 Ontario, CA 91760



**INSTALLATION INSTRUCTION**  
**796 - Vanities & Wall Sconces**  
**WS-79622**

**PREPARATION**

1. Shut off the power at the circuit breaker and remove existing fixture, including the crossbar.
2. Carefully unpack your new fixture and lay out all the parts on a clear area. Be careful not to lose any small parts necessary for installation.

**INSTALLATION**

**MOUNT ON SWITCH BOX** (Fig. 1)

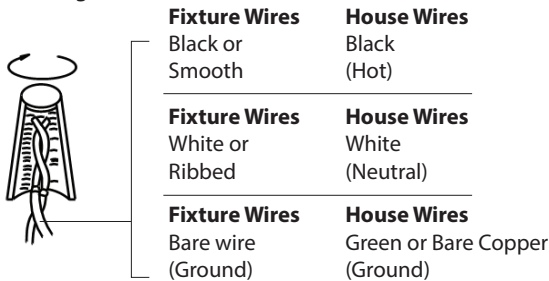
3. Remove the mounting screw (F1) from the fixture.
4. Drill holes in the wall aligned with the key-hole located in the mounting plate, insert the plastic anchor (E1) to the wall.
5. Connect the fixture wire to junction box wires as shown in **Fig. 3**, making sure that all wire connectors (A1) are secured. If your outlet box has a green or bare cooper ground wire, connect the fixture's ground wire to it. Otherwise, connect the fixture's ground wire directly to the back plate using the green screw provided. After wires are connected, tuck them carefully inside the switch box.
6. Secure the mounting plate to the switch box using the junction box screw (B1). Fasten the mounting plate to the wall using the wood screw (D1). The side of the mounting plate marked "GND" must face out.
7. Remove the mounting screw (C1) and take out the end fixed block from one side of the fixture.
8. Carefully insert the glass on the fixture, and secure it with end fixed block and mounting screw (C1).
9. Place the fixture over the mounting plate, and secure it with mounting screw (F1).

OR

**MOUNT ON JUNCTION BOX** (Fig. 2)

3. Remove the mounting screw (F1) from the fixture
4. Drill holes in the wall aligned with the key-hole located in the mounting plate, insert the plastic anchor (E1) to the wall.
5. Connect the fixture wire to junction box wires as shown in **Fig. 3**, making sure that all wire connectors (A1) are secured. If your outlet box has a green or bare cooper ground wire, connect the fixture's ground wire to it. Otherwise, connect the fixture's ground wire directly to the back plate using the green screw provided. After wires are connected, tuck them carefully inside the switch box.
6. Secure the mounting ring (H1) to the junction box using the junction box screw (B1). The side of the mounting plate marked "GND" must face out.
7. Place the mounting plate and the conversion plate (G1) onto the mounting ring, secure them with mounting screw (J1).
8. Fasten the wood screw (D1) and the spacer (I1) to the plastic anchor (E1).
9. Remove the mounting screw (C1) and take out the end fixed block from one side of the fixture.
10. Carefully insert the glass on the fixture, and secure it with end fixed block and mounting screw (C1).
11. Place the fixture over the mounting back plate, and secure it with mounting screw (F1).

**Fig. 3 Wiring**



**INSTALLATION INSTRUCTION**  
**796 - Vanities & Wall Sconces**  
**WS-79636**

**WAC LIGHTING**  
 Responsible Lighting®

**WARNING**

IMPORTANT: NEVER attempt any work without shutting off the electricity.

- Read all instructions before installing.
- System is intended for installation by a qualified electrician in accordance with the National Electrical Code and local regulations.
- Go to the main fuse box, or circuit breaker. Place the main power switch in the "OFF" position and unscrew the fuse(s) or switch "OFF" the circuit breaker switch(es) that control the power to the fixture or room that you are working on.
- Place the wall switch in the "OFF" position.

**CAUTION**

- All parts must be used as indicated in these instructions. Do not substitute any parts, leave parts out, or use any parts that are worn out or broken. Failure to follow this instruction could invalidate the ETL/CETL listing of this fixture.  
 CAUTION When handling the fixture, do not apply pressure to the LEDs. Hold the fixture by the base only.

**AVERTISSEMENT**

IMPORTANT : Coupez l'électricité avant TOUTE manipulation.

- Lisez toutes les instructions avant d'installer.
- Système est destiné à être installé par un électricien qualifié en conformité avec le code national de l'électricité et les règlements locaux.
- Accédez au panneau central de disjoncteurs ou de fusibles de votre demeure et placez l'interrupteur principal en position d'arrêt (« OFF »).
- Placez l'interrupteur mural en position d'arrêt (« OFF »).

**MISE EN GARDE**

- Toutes les pièces doivent être utilisées tel qu'il est indiqué dans ces instructions. Ne remplacez pas les pièces, n'en laissez pas de côté et ne les utilisez pas si elles sont usées ou brisées. Le non-respect de ces instructions peut annuler l'homologation ETL/CETL du luminaire. MISE EN GARDE Ors de la manipulation de l'appareil, ne pas appliquer de pression à la LED, tenir l'appareil par la seule base.

**ADVERTENCIA**




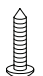
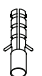





IMPORTANTE: NUNCA intente hacer trabajos sin desconectar el suministro eléctrico.

- Lea y comprenda todas las instrucciones e ilustraciones por completo antes de proceder con el ensamblaje e instalación de esta lámpara.
- Sistema está diseñado para ser instalado por un electricista calificado, de acuerdo con el código eléctrico nacional y las normas locales.
- Diríjase a la caja de fusibles o a la caja del interruptor de circuito principal en su hogar. Coloque el interruptor de alimentación principal en la posición "OFF" (APAGADO).
- Coloque el interruptor de la pared en la posición "OFF" (APAGADO).

**PRECAUCIÓN**

- Todas las piezas deben usarse como lo indican estas instrucciones. No reemplace las piezas, no omita piezas durante la instalación ni utilice piezas gastadas o rotas. El incumplimiento de esta indicación podría invalidar la calificación ETL/CETL esta lámpara. PRECAUCIÓN Al manipular el aparato, no aplique presión a los LED, mantenga el aparato en la base sólo.

**HARDWARE**

<b>A1</b>	<b>B1</b>	<b>C1</b>	<b>D1</b>	<b>E1</b>	<b>F1</b>	<b>G1</b>	<b>H1</b>	<b>I1</b>	<b>J1</b>
									
Wire Connector Qty: 3 pcs	Junction Box Screw Qty: 2 pcs + 1 Extra	Mounting Screw Qty: 4 pcs + 1 Extra	Wood Screw Qty: 2 pcs + 1 Extra	Plastic Anchor Qty: 2 pcs + 1 Extra	Mounting Screw Qty: 6 pcs + 1 Extra	Conversion Plate Qty: 1 pc	Mounting Ring Qty: 1 pc	Spacer Qty: 2 pcs + 1 Extra	Mounting Screw Qty: 2 pcs + 1 Extra

**waclighting.com**  
 Phone (800) 526.2588  
 Fax (800) 526.2585

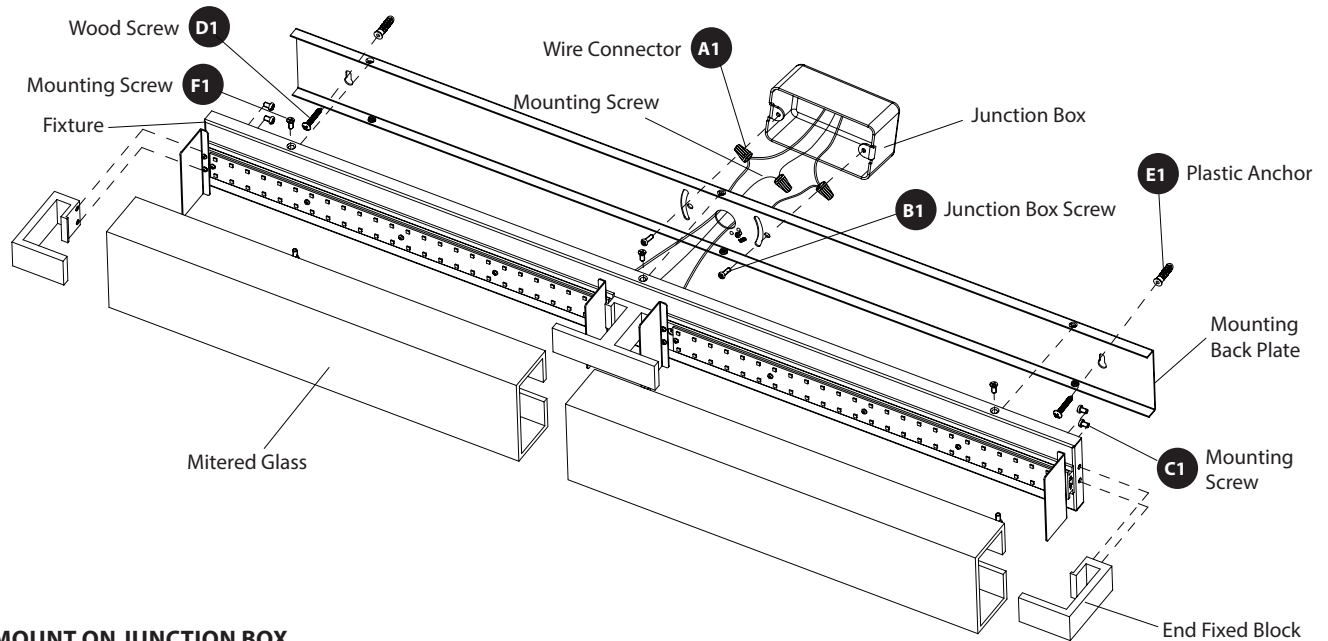
**Headquarters/Eastern Distribution Center**  
 44 Harbor Park Drive  
 Port Washington, NY 11050

**Central Distribution Center**  
 1600 Distribution Ct  
 Lithia Springs, GA 30122

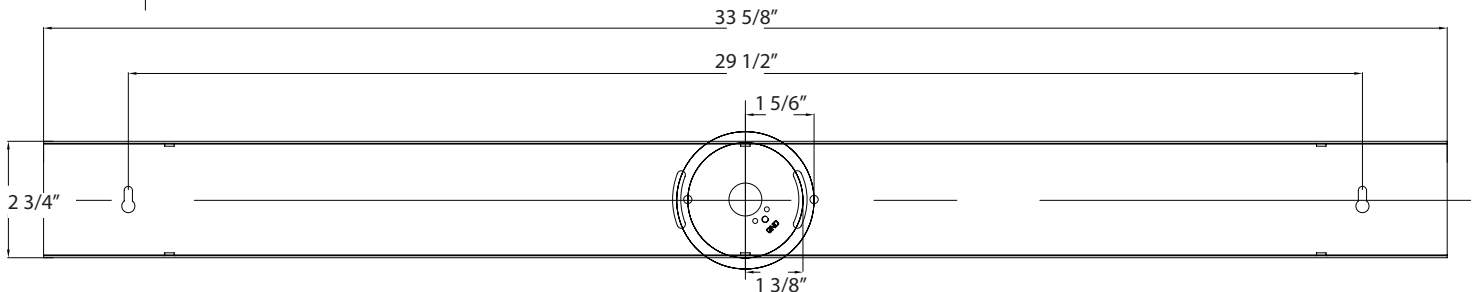
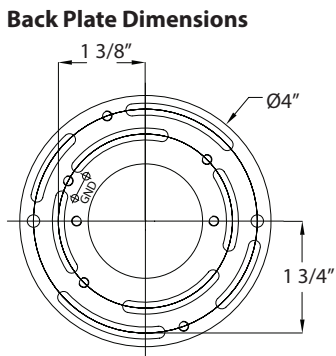
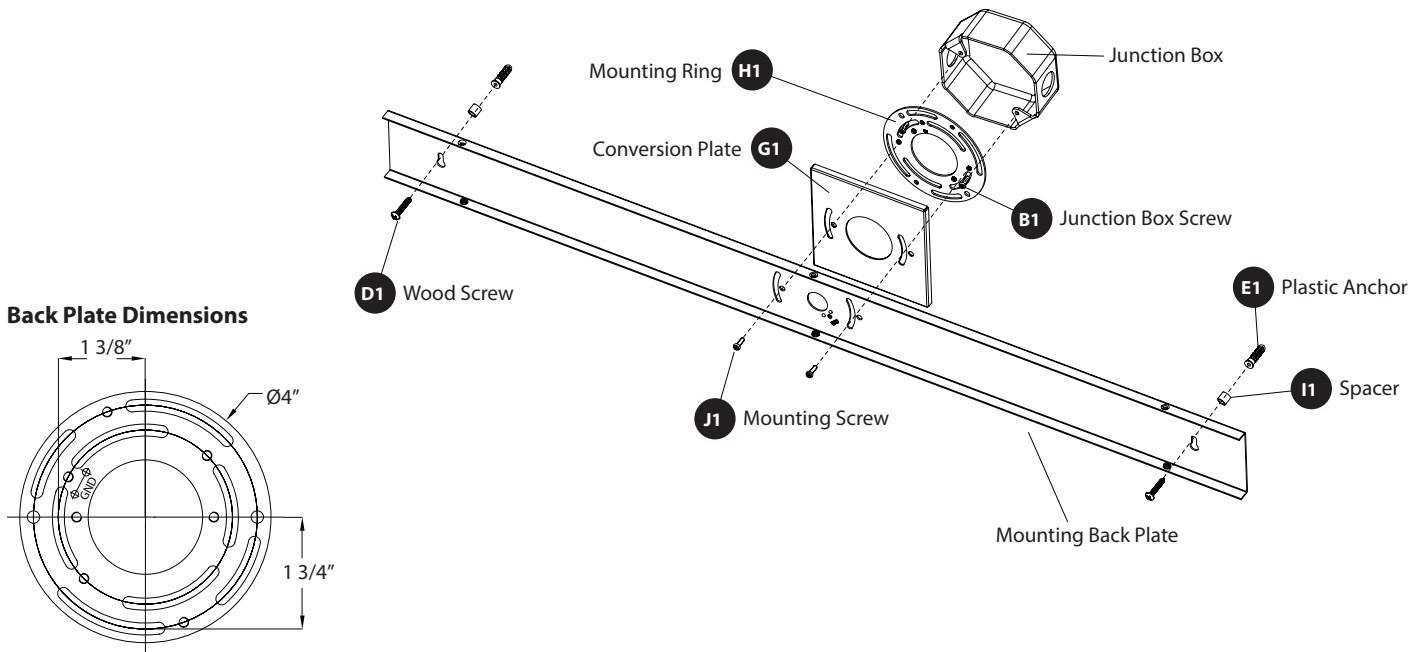
**Western Distribution Center**  
 1750 Archibald Avenue  
 Ontario, CA 91760



**FIG. 1 MOUNT ON SWITCH**



**FIG. 2 MOUNT ON JUNCTION BOX**



**waclighting.com**  
 Phone (800) 526.2588  
 Fax (800) 526.2585

**Headquarters/Eastern Distribution Center**  
 44 Harbor Park Drive  
 Port Washington, NY 11050

**Central Distribution Center**  
 1600 Distribution Ct  
 Lithia Springs, GA 30122

**Western Distribution Center**  
 1750 Archibald Avenue  
 Ontario, CA 91760



**INSTALLATION INSTRUCTION**  
**796 - Vanities & Wall Sconces**  
**WS-79636**

**PREPARATION**

1. Shut off the power at the circuit breaker and remove existing fixture, including the crossbar.
2. Carefully unpack your new fixture and lay out all the parts on a clear area. Be careful not to lose any small parts necessary for installation.

**INSTALLATION**

**MOUNT ON SWITCH BOX** (Fig. 1)

3. Remove the mounting screw (F1) from the fixture.
4. Drill holes in the wall aligned with the key-hole located in the mounting plate, insert the plastic anchor (E1) to the wall.
5. Connect the fixture wire to junction box wires as shown in **Fig. 3**, making sure that all wire connectors (A1) are secured. If your outlet box has a green or bare cooper ground wire, connect the fixture's ground wire to it. Otherwise, connect the fixture's ground wire directly to the back plate using the green screw provided. After wires are connected, tuck them carefully inside the switch box.
6. Secure the mounting back plate to the switch box using the junction box screw (B1). Fasten the mounting back plate to the wall using the wood screw (D1). The side of the mounting plate marked "GND" must face out.
7. Remove the mounting screw (C1) and take out the end fixed block from two sides of the fixture.
8. Carefully insert the glass on the fixture, and secure it with end fixed block and mounting screw (C1).
9. Place the fixture over the mounting back plate, and secure it with mounting screw (F1).

OR

**MOUNT ON JUNCTION BOX** (Fig. 2)

3. Remove the mounting screw (F1) from the fixture.
4. Drill holes in the wall aligned with the key-hole located in the mounting plate, insert the plastic anchor (E1) to the wall.
5. Connect the fixture wire to junction box wires as shown in **Fig. 3**, making sure that all wire connectors (A1) are secured. If your outlet box has a green or bare cooper ground wire, connect the fixture's ground wire to it. Otherwise, connect the fixture's ground wire directly to the back plate using the green screw provided. After wires are connected, tuck them carefully inside the switch box.
6. Secure the mounting ring (H1) to the junction box using the junction box screw (B1). The side of the mounting plate marked "GND" must face out.
7. Place the mounting back plate and the conversion plate (G1) onto the mounting ring, secure them with mounting screw (J1).
8. Fasten the wood screw (D1) and the spacer (I1) to the plastic anchor (E1).
9. Remove the mounting screw (C1) and take out the end fixed block from two sides of the fixture.
10. Carefully insert the glass on the fixture, and secure it with end fixed block and mounting screw (C1).
11. Place the fixture over the mounting back plate, and secure it with mounting screw (F1).

**Fig. 3 Wiring**

