

Fixture Type: _____

Catalog Number: _____

Project: _____

Location: _____

Pavilion

Linear Pendant 3000K

| Model & Size | Color Temp & CRI | Finish | Watt | LED Lumens | Delivered Lumens |
|--------------|------------------|------------------------|------|------------|------------------|
| PD-65244 44" | 3000K 90 | BK/AB Black/Aged Brass | 30W | 2240 | 1728 |

Example: **PD-65244-BK/AB**

For custom requests please contact customs@wacighting.com

FEATURES

- Low profile, adjustable powered aircraft cables for an ultra-clean look
- Slide-on rectangular canopy design with minimal hardware
- May be mounted on a sloped ceiling
- Driver concealed within the canopy
- 5 Year warranty

SPECIFICATIONS

| | |
|---------------|---|
| Color Temp: | 3000K |
| Input: | 120-277 VAC,50/60Hz |
| CRI: | 90 |
| Dimming: | ELV: 100-10% , 0-10V: 100-5%,TRIAC: 100-10% |
| Rated Life: | 50000 Hours |
| Standards: | ETL, cETL,Title 24 JA8-2019 Compliant Damp Location Listed |
| Construction: | Aluminum body, etched acrylic diffuser |

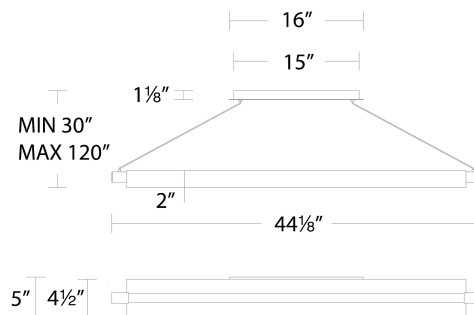


FINISHES:



Black/Aged
Brass

LINE DRAWING:



PD-65244